

# ELNA bolt switch contacts

Durable and reliable bolt switch contacts by ELNA



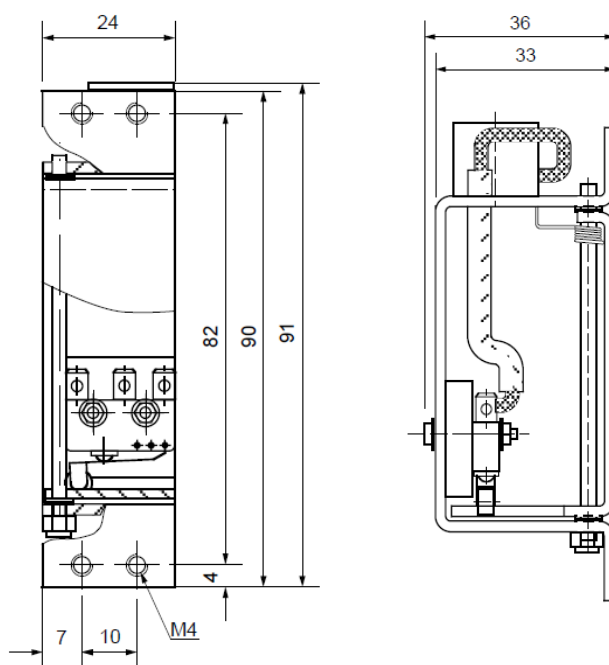
## Compact and robust metal-based design

- Bolt switch contacts retrieve the door status (open/closed)
- Extraordinarily reliable and durable thanks to the mechanical, highly robust design based on metal components
- Regularly outlast the actual door itself, working perfectly even after decades
- Compactly designed, the bolt switch contact can be installed into the lock shaft and will then reliably be operated once the door falls shut

## Data

- Weight: ~ 150g
- Material: V2A stainless steel
- Measurements: *see adjacent charts*

Item no: 124193



## Highlights

- Standing out in terms of reliability
- Mechanical metal-based design
- Ideally suited for demanding environments, in particular at sea