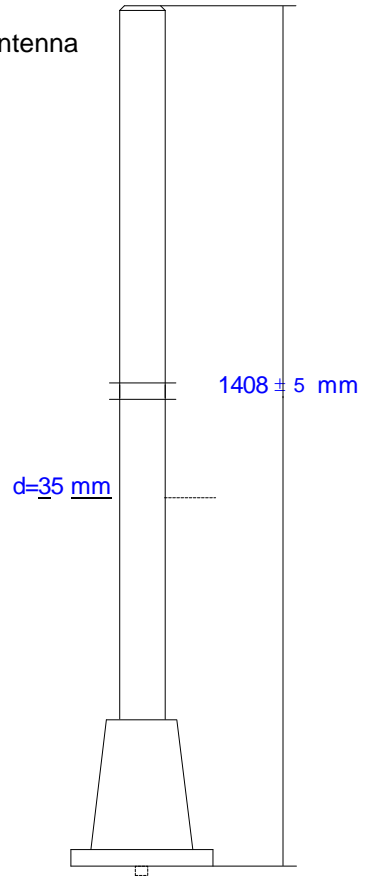


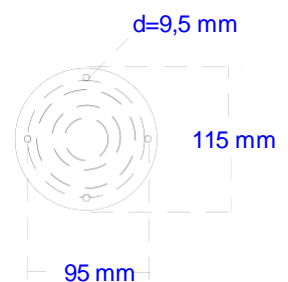
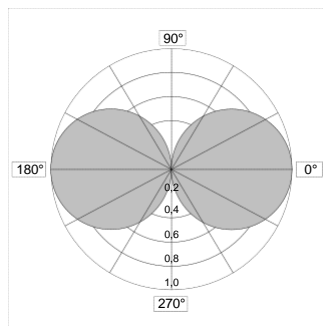
VHF Transmit-Receive Antenna / VHF Sende-Empfangs-Antenne

STA ISF

Application	transmit-receive antenna
Characteristic	vertically polarized omnidirectional antenna
Dimension (h x d)	1413 x 35/115 mm
Weight	1,7 kg
Max. wind speed	250 km/h
Bending moment	100 Nm at 250 km/h
Mounting	4 screws M8
Color	RAL 7000
Ambient temperature	-40°...+60°C
Storage temperature	-50°...+80°C
Relative humidity	100%
RF connector	N socket
Frequency range	156 - 162 MHz
Input impedance	50 Ω
VSWR	≤1,6
Permissible power acceptance	100 W
Gain	2,15 dBi
Horizontal diagram	omnidirectional



Vertical diagram



ELNA reserves the right to make changes in specifications without notice.
All data without tolerance.