



S4 Rescue Radar SART

The S4 Rescue Radar SART is a 9GHz X-band Search and Rescue Locating Device which offers proven reliability. Extremely simple to use, the S4 Rescue can be operated even with gloved or wet hands. Its compact design makes it suitable for packing in liferafts or as a carry off device.



S4 Rescue Radar SART



When a radar signal is received from a ship or aircraft, the S4 Rescue automatically transmits a response signal, which clearly identifies the survival craft on the radar screen by means of a stream of 12 in-line dots.

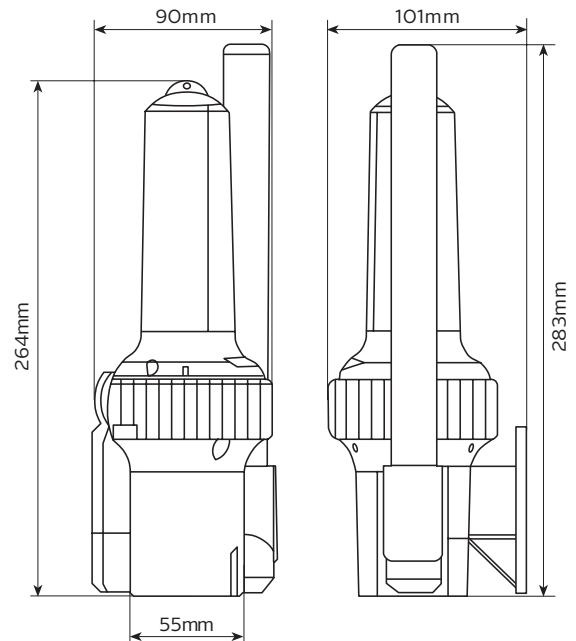
Once activated, the S4 will remain in standby mode for over 96 hours.

The S4 Rescue has been designed for reliable operation in the toughest of marine environments.

- Ship or survival craft options
- Waterproof to 10m
- Buoyant
- Compact and lightweight
- Replaceable, 5 year battery pack
- Audio/visual indication of operation
- Built-in test facility
- Integral lanyard
- Mounting options - internal/external

Technical Specifications

Receiver Response:	9.2–9.5 GHz, sensitivity better than -50 dBm
Transmitter Response:	12 forward and return sweeps through the range 9.2–9.5 GHz. Nominal sweep times 7.5 μ s forward and 0.4 μ s return.
Radiated Power (ERP):	Not less than 400 mW (+26 dBm)
Duration of Operation:	96 hours in standby condition followed by a minimum 8 hours of transmission while being continually interrogated with a pulse repetition frequency of 1 kHz.
Temperature Range:	-20°C to +55°C operational -30°C to +65°C storage
Effective Antenna Height:	1 metre or greater
Weight:	360g (without mast or bracket) 510g (with mast) 530g (with mast & bracket)
Dimensions:	264mm long x 90mm diameter
Battery replacement interval:	5 years



info@mcmurdogroup.com

www.mcmurdogroup.com

Service & Support

For service and support, please contact your local distributor or service agent by visiting <http://www.mcmurdomarine.com/find-a-service-centre>



McMurdo Group – The industry's first end-to-end life-saving and tracking solutions provider
Distress Beacons • Satellite Connectivity Infrastructure • Monitoring/Positioning Software • Emergency Response Management