

The fire detection panel DI09 is conventional type product with 4 zones.
 The total capacity of 10 detectors or manual call points per zone.
**Quick to assemble and operate, easy to use, DNV
 And WheelMark approved, the DI09 is a leader in its category.**

Document reference: DI09 FP GB Rev2

DI09



DESCRIPTION

Application

The fire alarm panel DI09 is a conventional type product with 4 zones.
 It has a total capacity of 10 detectors or manual call points per zone, with standard or watertight base. (Optical smoke detectors, heat, flame, or intrinsically safe detectors)

Functional characteristics

Display:

- | | |
|------------------------|---|
| Functional conditions: | LEDs + graphic backlighted LCD |
| • User languages : | programmable: English, French, Spanish |
| • Serigraphy : | 2 languages text (French, English, Spanish in option) |

Functions:

- Fire and failure detection (insulation fault, cut or short circuit on 1 zone)
- Normal power supply automatic switch/ emergency power supply with alarm
- 3rd source (12V battery) activating the alarm in case of main and emergency sources failure
- Day/night type dimmer
- Protected functions: 3 levels access, by access code on the screen

Configuration:

Directly on the panel with the LCD and the keyboard:

- Identification of the zones (20 characters).
- Some functions can be parameterized (enabled/disabled zones, relay temporization, language...)

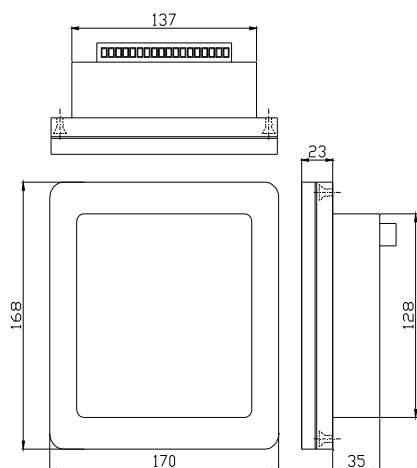
Outputs:

1. « External siren » output, immediate, monitored (24VDC monitored with 2k2 end of line resistor, 0.2A maxi) activated on fire or fault alarm.
2. « Fire alarm » output, (dry contacts N.O., 0.35A max).
3. « fault » output (dry contacts N.C., 0.35A max)
4. Serial port RS485 for transfer on external equipment/ mimic panel./extinction/V.D.R.
 Selectable Protocol: NMEA 0183 (IEC 61162-120) / MODBUS RTU
5. « General alarm » output

Mechanical characteristics

Dimensions (LxWxH):

- Case : 170x168x58 mm
- Front face : 270x10 mm



Weight:

- 0.6Kg

Protection level:

- IP31 (back face)
- IP44 (front face)

Material:

- ABS

Electrical characteristics

Main power supply:

- 24 VDC (-25% +30%)

Emergency power supply:

- 24 VDC (-25% +30%)

3rd power supply source:

- 1 battery 12 VDC (type MN21)

Power supply commutation:

- Automatic

Power supply protection:

- Diodes and resettable fuses 1.2A

Consumption:

- 0,25 A maxi (+ outputs consumption)

Zones:

- Cable: shielded cable 2 conductors, section mini. recommended 0.75mm²
- Cable length maxi per loop = 50m
- Consumption = 0,01 A nominal, 0,05 A maxi.
- Protection against polarity inversion and short-circuits

Outputs switching capacity:

- 0.2 A @ 24 VDC
-

Environment

Storage conditions:

- 30°C to 70°C

Functioning conditions:

- 10° C to 55°C

Maximum humidity:

- 95% RH - non condensable at 40°C

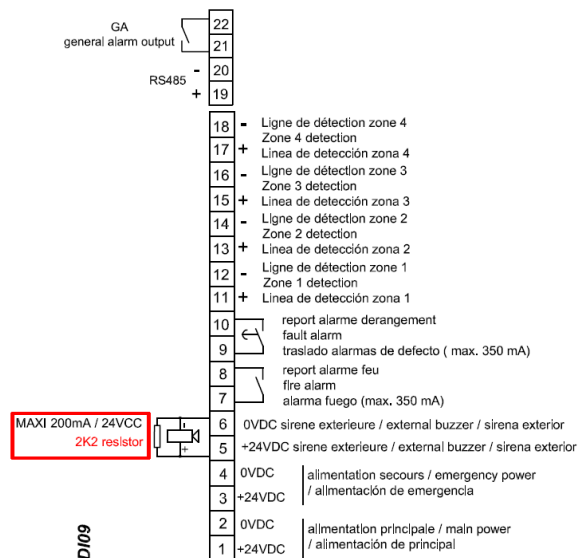
Mounting:

- Slot in (Standard model)

Approbations

- Wheelmark

Connection



Associated MARINELEC products

Detectors:



Call points:



Sirens:



Test equipment:

